





---

---

# UTEM SKYTEL UTLI35B



-  Exclusive 540 degree boom rotation with hourglass worm gear drive  
Provides smooth and self locking rotation with a mechanical stop
-  Individual lever full pressure upper controls  
Full pressure single stick upper controls is optional
-  Outer boom is high strength steel, with fiberglass inner boom  
Non-lube bearings provided at pivot points
-  Non-tracking 30 in. insulation gap  
Insulation gap increases to 42 inches as boom is extended

Strength, innovation and service from UTEM



Utility Truck Equipment MFG, L.L.C.

P.O. Box 9

Hewitt, Texas 76643

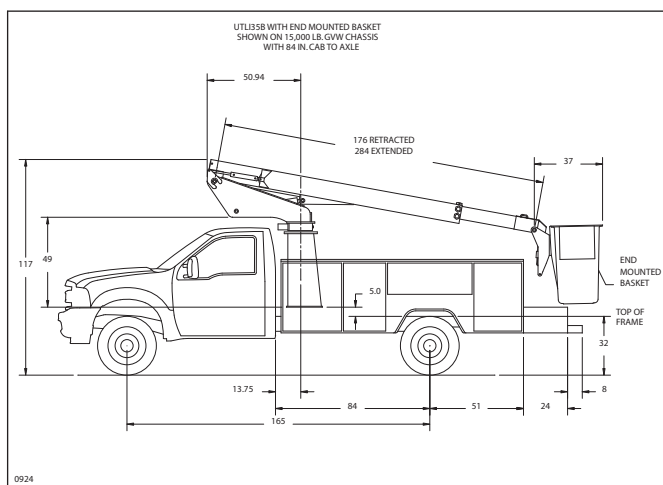
Phone: 254-857-8204 Fax: 254-857-9253

[www.UTEMbuckets.com](http://www.UTEMbuckets.com)

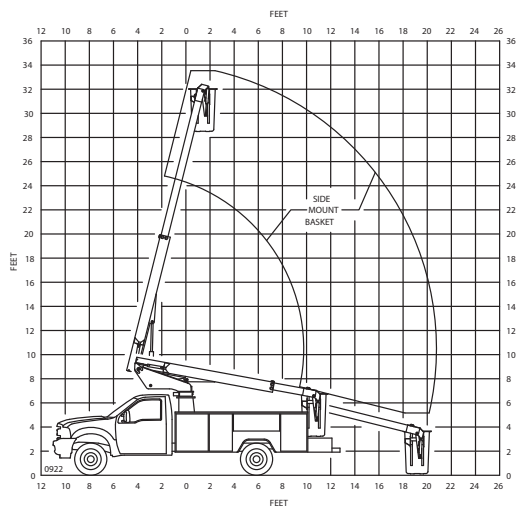
---

---

# UTEM SKYTEL UTLI35B



Dimensional Outline



Operating Area Diagram

## Dimensional Specifications

	UTLI35B
Horizontal side reach - side mount	20 ft 9 in (6.32m)
Horizontal side reach - end mount	22 ft 9 in (6.93m)
Height to bottom of basket*	29 ft (8.83m)
Working height*	34 ft (10.36m)
Stowed height*	10 ft 1 in (3.07m)
Outer boom articulation in degrees	-14° to 76°
Standard basket capacity	300 lbs (136kg)
Maximum basket capacity	400 lbs (181kg)
UTLI non-tracking insulation gap is 30 in (0.76m)	
Tested and rated for Category C 46kV and below per ANSI A92.2-2001	
Meets or exceeds ANSI A92.2-2001 and OSHA requirements	
* Based on 36 in (0.91m) chassis frame height	

## Mechanical Specifications

- 540° Boom rotation with mechanical stop
- Rotation drive is hourglass worm gear acting on a shear ball bearing
- Hydraulic bucket leveling
- All hoses and controls cables are enclosed within the outer boom
- Boom elevation and extension by hydraulic cylinders
- Boom and extension cylinders have load holding valves
- Outer boom is high strength steel with infinitely adjustable wear pads
- Inner boom is filament wound oven cured epoxy resin fiberglass
- Pedestal is welded structure with reservoir mounted inside
- Standard color is UTEM white powder coat
- Body harness with adjustable length shock absorbing lanyard included

## Chassis Requirements

	Minimum	Recommended
Vehicle GVWR	10100 lbs	11000 lbs
Front axle GAWR	4000 lbs	4200 lbs
Rear axle GAWR	7500 lbs	7500 lbs
Frame section modulus	5.42 in <sup>3</sup>	5.42 in <sup>3</sup>
RBM of frame	195000 in lbs	195000 in lbs
Approx. weight for stability	7800 lbs	7800 lbs

## Controls

- Individual Lever Full Pressure Controls are Standard
- Leveling controls provided at upper and lower controls
- "HM" hydraulic system is provided with UTLI35B
- Engine stop/start provided with "HM" hydraulics
- Emergency stop is provided at basket controls
- Lower control override selector included

## Hydraulic Specifications

Operating pressure	2200 PSI (155kg/cm <sup>2</sup> )
Reservoir capacity with sight gauge	10 Gallons (38l)
Suction strainer mounted in reservoir	100 Mesh
Return line filter with bypass	10 Micron

## Optional Equipment

- Single stick upper controls
- Baskets with steps or walk thru openings with doors
- End mount basket
- Manual basket rotator
- Hydraulic basket rotator
- Continuous rotation
- Hydraulic tool outlet at basket
- Manual two-speed throttle
- 12VDC Powered Emergency Lowering
- Bridge mount pedestal and remote reservoir
- Outriggers for increased stability
- Outrigger/Boom interlock
- Torsion bars for increased stability



Utility Truck Equipment MFG, L.L.C.  
PO Box 9  
Hewitt, TX 76643

[www.UTEMbuckets.com](http://www.UTEMbuckets.com)