
UTEM SKYTEL UTLI 46A



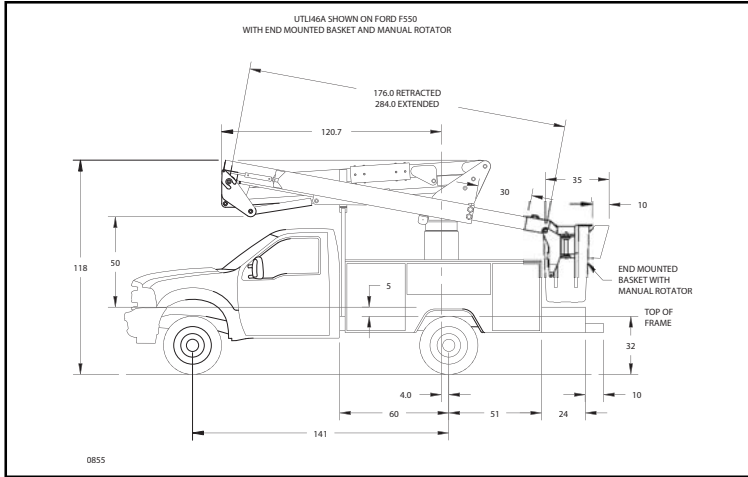
- 🛑 Exclusive 540 degree boom rotation with hourglass worm gear drive
Provides smooth and self locking rotation with a mechanical stop
- 🛑 Non-Lube bearings at all points of boom movement
- 🛑 Full pressure individual lever upper controls standard
Single stick upper control is optional
- 🛑 Outer boom is high strength steel
Inner boom is oven cured epoxy resin fiberglass
Provides maximum strength and durability
- 🛑 Non-tracking 30 in. insulation gap

Strength, innovation and service from UTEM

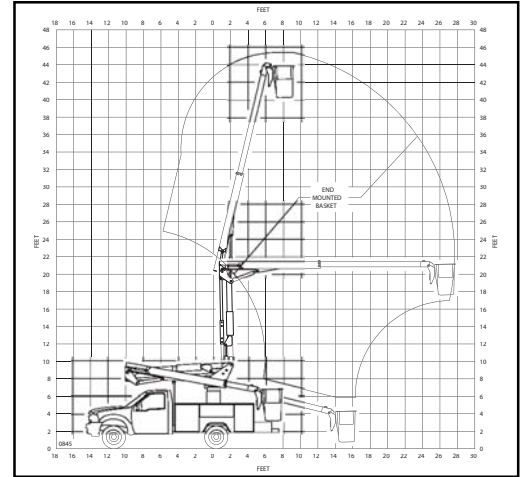


Utility Truck Equipment MFG, L.L.C.
P.O. Box 9
Hewitt, Texas 76643
Phone: 254-857-8204 Fax: 254-857-9253
WWW.UTEMBUCKETS.COM

UTEM SKYTEL UTLI 41A/46A



UTLI 46A Dimensional Outline



UTLI 46 Operating Area Diagram

Dimensional Specifications

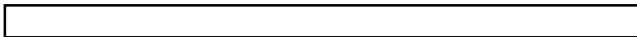
	UTLI 41A	UTLI 46A
Horizontal side reach - side mount	25 ft 9 in (7.86 m)	25 ft 8 in (7.84 m)
Horizontal side reach - end mount	27 ft 9 in (8.46 m)	27 ft 8 in (8.43 m)
Height to bottom of basket*	36 ft 9 in (11.19 m)	40 ft 9 in (12.41 m)
Working height*	41 ft 9 in (12.72 m)	45 ft 9 in (13.94 m)
Stowed height*	10 ft 2 in (3.10 m)	10 ft 2 in (3.10 m)
Upper boom articulation in degrees	-14° to 77°	-14° to 77°
Lower boom articulation in degrees	-6° to 90°	-4° to 90°
Standard basket capacity	300 lbs (136 kg)	300 lbs (136 kg)
Maximum basket capacity	400 lbs (181 kg)	400 lbs (181 kg)

UTLI 41A and UTLI 46A meet or exceed ANSI A92.2 and OSHA requirements

* Based on 36 in (0.91m) chassis frame height.

Mechanical Specifications

- 540° Boom rotation with mechanical stop
- Rotation drive is hourglass worm gear acting on a shear ball bearing
- Side mount basket with hyd. leveling includes upper and lower controls
- All hoses are enclosed within the booms
- Boom elevation and extension by hydraulic cylinders
- Boom and extension cylinders have load holding valves
- Outer boom is high strength steel with screw in wear pads
- Inner boom is filament wound epoxy resin fiberglass
- Lower boom consists of a parallelogram linkage
- Pedestal is welded structure with reservoir mounted inside
- Standard color is UTEM white enamel over an epoxy primer
- Body harness with adjustable length shock absorbing lanyard included



Controls

- Full pressure individual lever locking upper controls
- Turret mounted full pressure lower controls
- Engine stop/start provided with "HM" hydraulics
- Emergency stop is provided at basket controls
- Upper control override is included
- Master switch in chassis cab is provided

Hydraulic Specifications

UTLI 41A operating pressure	2200 PSI (155 kg/cm ²)
UTLI 46A operating pressure	2500 PSI (176 kg/cm ²)
Flow rate	3 GPM (11.4 lpm)
Reservoir capacity w/ sight gauge	15 Gallons (57 l)
Suction strainer mounted in reservoir	100 Mesh
Return line filter with bypass	10 Micron

Optional Equipment

- Full pressure single stick upper controls
- Continuous rotation
- Fiberglass baskets with steps and doors
- End mount basket
- Hydraulic tool outlet at basket
- 12VDC emergency powered lowering
- Bridge mount pedestal and remote reservoir
- Manual basket rotator
- Hydraulic basket rotator
- Outriggers for increased stability
- Torsion bars for increased stability

Recommended Chassis Requirements - UTLI 46A

Vehicle GVWR	17,500 lbs
Front axle GAWR	6000 lbs
Rear axle GAWR	13,500 lbs
Frame section modulus	8 in ³
RBM of frame	280,000 in lbs
Approx. weight for stability	14,200 lbs



Utility Truck Equipment MFG, L.L.C.
PO Box 9
Hewitt, TX 76643

WWW.UTEMBUCKETS.COM